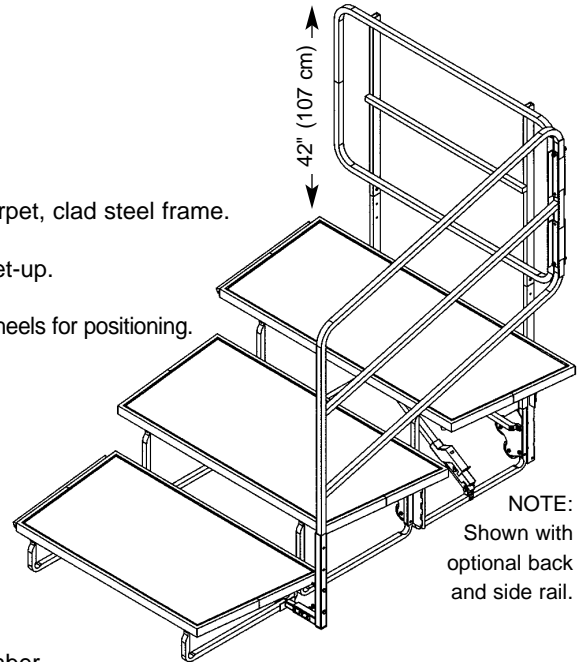


# Tourmaster Standing Risers

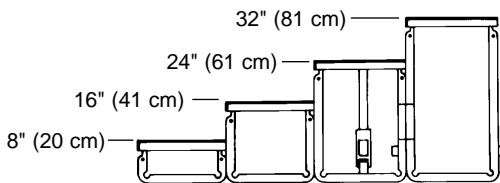
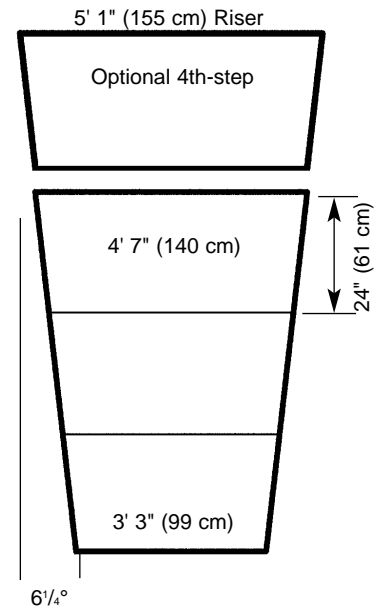
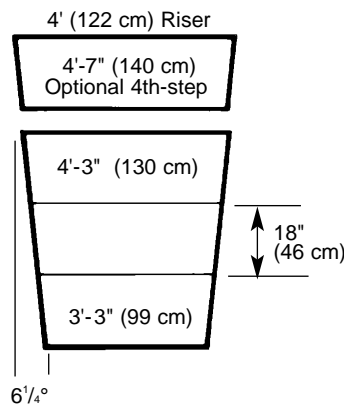
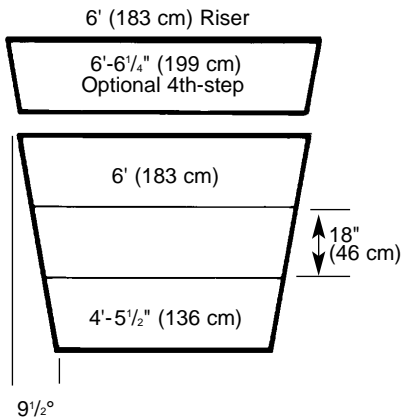
- 024F806, Grey 6' x 18" (183 cm x 46 cm) unit (130 lbs.)(59 kg)
- 024F802, Grey 4' x 18" (122 cm x 46 cm) unit (103 lbs.)(47 kg)
- 024F011, Grey 4'7" x 24" (140 cm x 61 cm) unit (127 lbs.)(58 kg)
- Portable 3-step unit, accordion style design folds compactly.
- Ideal for groups that travel.
- Frame is 7/8" (22 mm) 14-gauge square tubing.
- Steps are 19/32" (16 mm) plywood covered with Grey 100% olefin double tuft carpet, clad steel frame.
- Step edging is Grey powder-painted finish.
- Foot-pedal activated cross brace locks leg structure automatically for easier set-up.
- Built-in reversibility allows for straight or semi-circular configuration.
- Units have 3" (8 cm) non-marring rubber casters, built-in stair glides, two 4" (10 cm) wheels for positioning.
- Available in 4' (122 cm) and 6' (183 cm) lengths, with 18" (46 cm) usable step depth, and 24" (61 cm) usable step depth.
- Five-year warranty.
- Patented and Patent Pending.

## Tourmaster Accessories

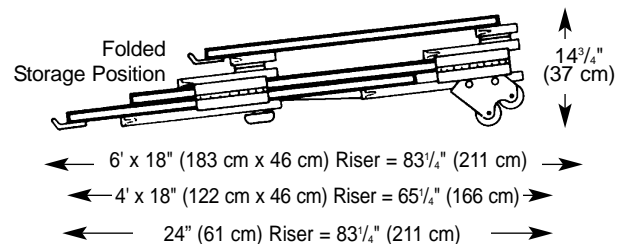
- 4th Step Addition: Grey 6' x 18" (183 cm x 46 cm) unit 024F707 (55 lbs.)(25 kg)
- Grey 4' x 18" (122 cm x 46 cm) unit 024F710 (45 lbs.)(20 kg)
- Grey 24" (61cm) unit 024F013 (55 lbs.)(25 kg)
- 4th Step Addition attaches to corresponding Tourmaster Riser with integral leg clamps, no tools needed.
- Backrails have positioning wheels so that backrail support bar does not encumber moving riser in setup position. Backrails break down without tools for easy travel.
- Backrails are Grey Metallic powdercoat finish with quick and easy clamp attachment to 3-step unit or 4th step addition. 42" (107 cm) height meets OSHA standards.
- 4' (122 cm) backrail: 024E763 (24 lbs.)(11 kg)
- 6' (183 cm) backrail: 024E778 (31 lbs.)(14 kg)
- 024F017, Optional Side Rails are grey metallic powdercoat finish and clamp to backrail (48 lbs.)(22kg).



NOTE:  
Shown with optional back and side rail.



Shown with optional 4th-step



**WENGER CORPORATION**  
555 Park Drive, PO Box 448  
Owatonna, MN 55060-0448  
Phone 800.4WENGER  
Fax 507.455.4258  
Customer Service  
800.887.7145

**CANADA**  
PO Box 274, Station F  
Toronto, Ontario M4Y 2L7  
Phone 800.268.0148  
Fax 416.754.3996

**EUROPE**  
Tel +31 26 376 0500  
Fax +31 26 362 8100  
wenger-europe.com

**BEIJING REPRESENTATIVE  
OFFICE OF WENGER**  
Tel 0086-10-84972502  
Fax 0086-10-84972575

**WORLDWIDE**  
Phone 507.455.4100  
Fax 507.444.0685

**WEB SITE**  
wengercorp.com